

# SELECT® POWER VENT WATER HEATERS



The Select® Power Vent water heaters have been engineered to maximize efficiency and deliver a greater energy factor (EF).

## FEATURES

### ENERGY STAR® Qualified

- All models meet the September 2010 ENERGY STAR® EF requirement and may also qualify for local utility and rebate programs
- Newly designed Pexan™ dip tube optimizes inlet water pressure to minimize cold water regions within the tank. The self-cleaning action reduces sediment accumulation on the bottom of the tank.
- Hot-surface ignitor is more robust and reliable than standing pilot, and reduces energy consumption
- Built-in heat traps on the water inlet and outlet reduce the amount of heat lost through piping
- 2-inch, thick, "Environmentally-Friendly" foam insulation reduces heat loss and contributes to overall energy efficiency



Low Lead Content



### Versatile Power Vent Design

- All models feature an *exclusive* 3-position rotatable blower outlet which adds flexibility
- Combined horizontal and vertical vent runs up to 180 equivalent feet with 4" diameter venting (ABS, PVC, CPVC and polypropylene)

- All models are equipped with a protected sensor that detects the presence of flammable vapors and automatically disables the burner to prevent ignition
- Air intake snorkel elevates the inlet location of combustion air to prevent flammable vapors from entering the sealed combustion chamber
- Reduced NOx emissions comply with air quality management district regulations

### User-Friendly

- State-of-the-art electronic gas control provides more precise temperature control
- LED control light displays operation status and diagnostics information
- Factory-installed T&P and a durable, tamper-resistant brass drain valve are positioned for service accessibility

### Available in Natural Gas and Propane

### Warranty

- 6-year limited warranty on tank
- 6-year limited warranty on all parts

For more information on Power Vent Water Heaters contact:

State Water Heaters  
500 Tennessee Waltz Parkway  
Ashland City, TN 37015  
800.365.0024 Toll-free USA  
www.statewaterheaters.com

**SOLID.STATE.**



# SELECT® POWER VENT RESIDENTIAL MODELS

## DIMENSIONS

MODEL NUMBER	SERIES	HEIGHT TO TOP OF BLOWER A	HEIGHT TO TOP OF TANK B	DIAMETER C	OVERALL DEPTH D	HEIGHT TO DRAIN E	HEIGHT TO GAS INLET F	HEIGHT TO T&P G	HEIGHT TO UPPER SIDE CONNECT G	HEIGHT TO LOWER SIDE CONNECT H	SHIPPING WEIGHT LBS
GS6 40 YBVIS	200	59	49-5/8	22	29-1/8	11	14-1/4	42-1/2	N/A	N/A	174
GS6 40 YRVIT	200	68-1/2	59-1/4	20	27-1/8	11	14-1/4	53-1/8	53-1/8	15-1/4	176
GS6 50 YBVIS	200	60-1/8	50-3/4	24	31-1/8	11	14-1/4	43-3/4	N/A	N/A	198
GS6 50 YRVIT	200	68-1/8	58-3/4	22	29-1/8	11	14-1/4	51-3/4	51-3/4	15-1/4	192
GS6 50 YRVHSL	200	61-1/8	52	24	31-1/8	11	14-1/4	44-1/2	44-1/2	15-1/4	212
GS6 75 YRVHTL	200	70-5/8	61-1/4	26	33-1/8	11	14-1/4	53	53	15-1/4	277

All dimensions in inches.

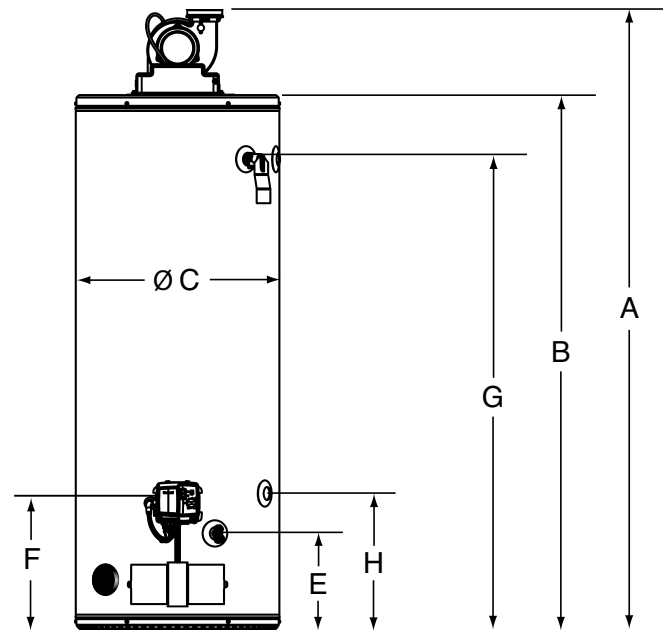
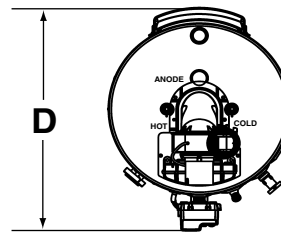
Natural gas models cited are series 200. Propane models are series 201. For propane models, change "Y" to "H" in model number.

All models rated for installation at altitudes up to 10,100 ft.

Side connections available on YRVIT models.

## SPECIFICATIONS

MODEL NUMBER	GALLON CAPACITY	INPUT BTU/H	ENERGY FACTOR	FIRST HOUR RATING USG	RECOVERY 90°F RISE GPH
GS6 40 YBVIS	40	40,000	0.70	73	44.7
GS6 40 YRVIT	40	50,000	0.70	90	55.9
GS6 50 YBVIS	50	40,000	0.70	90	44.7
GS6 50 YRVIT	50	50,000	0.70	96	55.9
GS6 50 YRVHSL	50	62,000	0.70	110	69.3
GS6 75 YRVHTL	75	72,000	0.68	155	80.4



## VENT LENGTH

MODEL NUMBER	MAXIMUM VENT LENGTH EQ. FT.		
	Ø2"	Ø3"	Ø4"
GS6 40 YBVIS	50'	125'	180'
GS6 40 YRVIT	50'	125'	180'
GS6 50 YBVIS	50'	125'	180'
GS6 50 YRVIT	50'	125'	180'
GS6 50 YRVHSL	N/A	50'	125'
GS6 75 YRVHTL	N/A	50'	125'

For complete information on limited warranties, consult written warranty or contact technical support at 1-800-365-0024.

State Industries, Inc., reserves the right to make product changes or improvements without prior notice.

For more information on Power Vent Water Heaters contact:

State Water Heaters  
 500 Tennessee Waltz Parkway  
 Ashland City, TN 37015  
**800.365.0024 Toll-free USA**  
[www.statewaterheaters.com](http://www.statewaterheaters.com)

**SOLID.STATE.**

